

TYPHOON High Speed Surface Aerator

Excellent Oxygen Transfer

The TYPHOON High Speed Surface Aerator provides high oxygen transfer rate, quality and long lasting performance. Featuring a high efficiency design, the TYPHOON Aerator produces high pumping rates with a low trajectory for intense air-to-water mixing, resulting in excellent oxygen transfer rates.

TYPHOON aerators feature:

- **304 or 316 (optional) stainless steel construction**
- **Explosion proof, chemical duty motors**
- **Archimedes type centrifugal impeller design**
- **Direct drive aerator, no gear boxes**
- **High oxygen transfer and flat spray pattern**

The high velocity spray creates maximum surface contact and water turbulence, which results in the highest possible oxygen transfer and mixing performance.



TYPHOON Aerator creates high velocity spray



Typical TYPHOON installation in a lagoon

Extensive Applications

TYPHOON High Speed Surface Aerators add oxygen and mixing in a wide range of applications including:

- **Wastewater Treatment**
 - Aerated Lagoons
 - Activated Sludge Basins
 - Equalization Basins
 - Sequencing Batch Reactors
- **High Rate Aeration**
- **Leachate Treatment**
- **Supplemental Aeration**

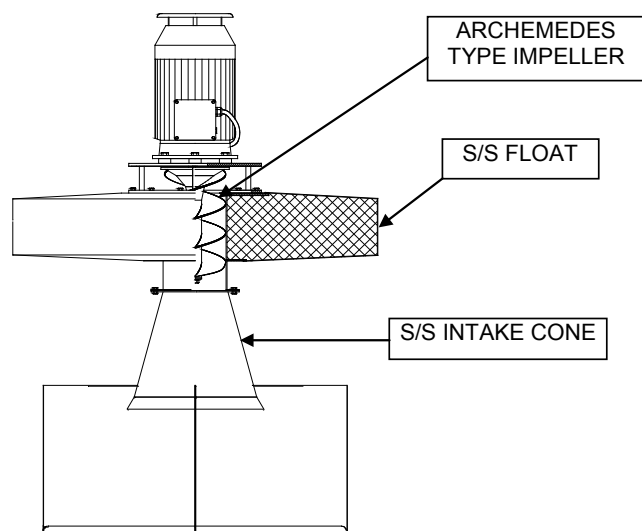
Principle of Operation

Float mounted on the water surface, the TYPHOON Aerator submerged impeller rotates and draws water up through the intake cone and projects it outward, above water line. The fine droplet spray causes low trajectory intense air-to-water mixing, resulting in excellent oxygen transfer.

Robust Construction

The TYPHOON Aerator utilizes an Archimedes type impeller. Due to a special design, the Archimedes type impeller provides unmatched durability and is less prone to clogging than the marine type impellers. The Archimedes type impeller has much less blade edge surface which results in smooth operation and low maintenance cost.

To ensure an extremely long life, all motors are watertight, feature a cast iron frame, oversized bearings, epoxy or triple impregnated windings and thermal probe protection. Motors are explosion proof, chemical duty, and come in a range of 2HP (1.5kW) up to 150HP (100 kW). Floats are fabricated of 304 or 316 stainless steel. All floats are foam filled with water resistant closed cell polymer foam.



TYPHOON Aerator construction

Efficiency for Industry

The TYPHOON Aerator durable construction provides a dependable and economical solution in a wide range of industries such as:

- **Pulp and Paper Mill**
- **Chemical Processing**
- **Dairies**
- **Food & Beverage**



TYPHOON Aerator installation in a paper mill application

Easy Installation, Low Maintenance

The TYPHOON Aerator can be mounted with mooring cables (3 or 4 point mooring). Standard mooring attachments ensure stability and eliminate any potential flexing or twisting stress. The unit can be installed in applications with fluctuating water levels by utilizing a guide rail system.

The AEROMIX high speed surface aerator does not have to be taken out of the water for regular maintenance. The only regular maintenance procedure required is the annual application of grease to the motor bearing.

Aeration Knowledge, Wide Range of Products

AEROMIX is your aeration expert. We offer all major wastewater aeration technologies and the expertise to help you select and apply the equipment best suited for your application. Let our technical experts assist you in proper sizing, layout, and operation of your aeration system.

AEROMIX is an award-winning manufacturer of water and wastewater treatment equipment, with more than 2,500 systems installed in over 75 countries around the world. As a key member of the RWL Water Group, AEROMIX takes on a leadership role in providing customers with full lines of treatment systems, aeration equipment, eco-aeration equipment, and reverse osmosis solutions.

AEROMIX

7135 Madison Ave. West
Minneapolis, MN 55427 U.S.A.
Ph: +1-800-879-3677, 763-746-8400
Fax: 763-746-8408
e-mail: aeromix@aeromix.com
web: www.aeromix.com